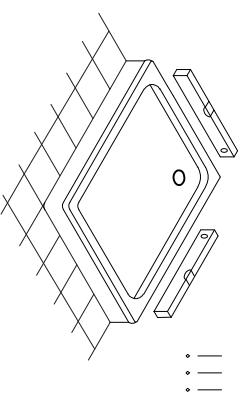
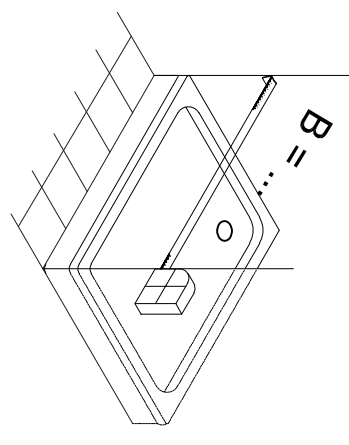


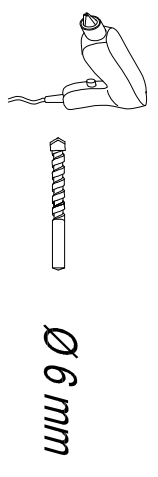
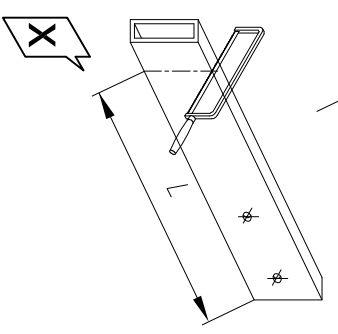
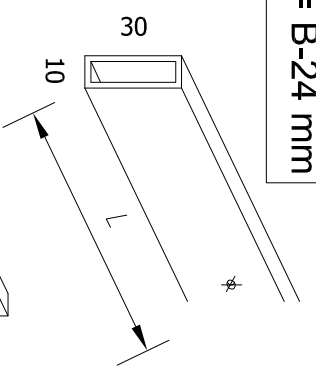
-2-



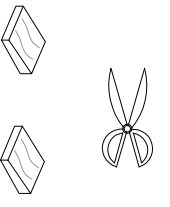
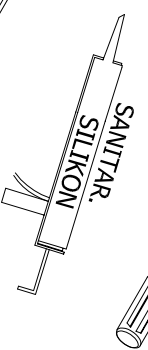
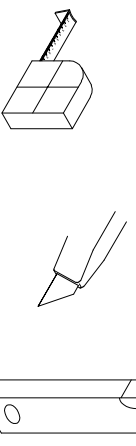
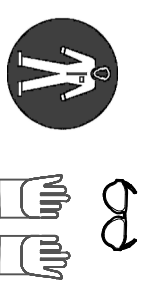
⋮



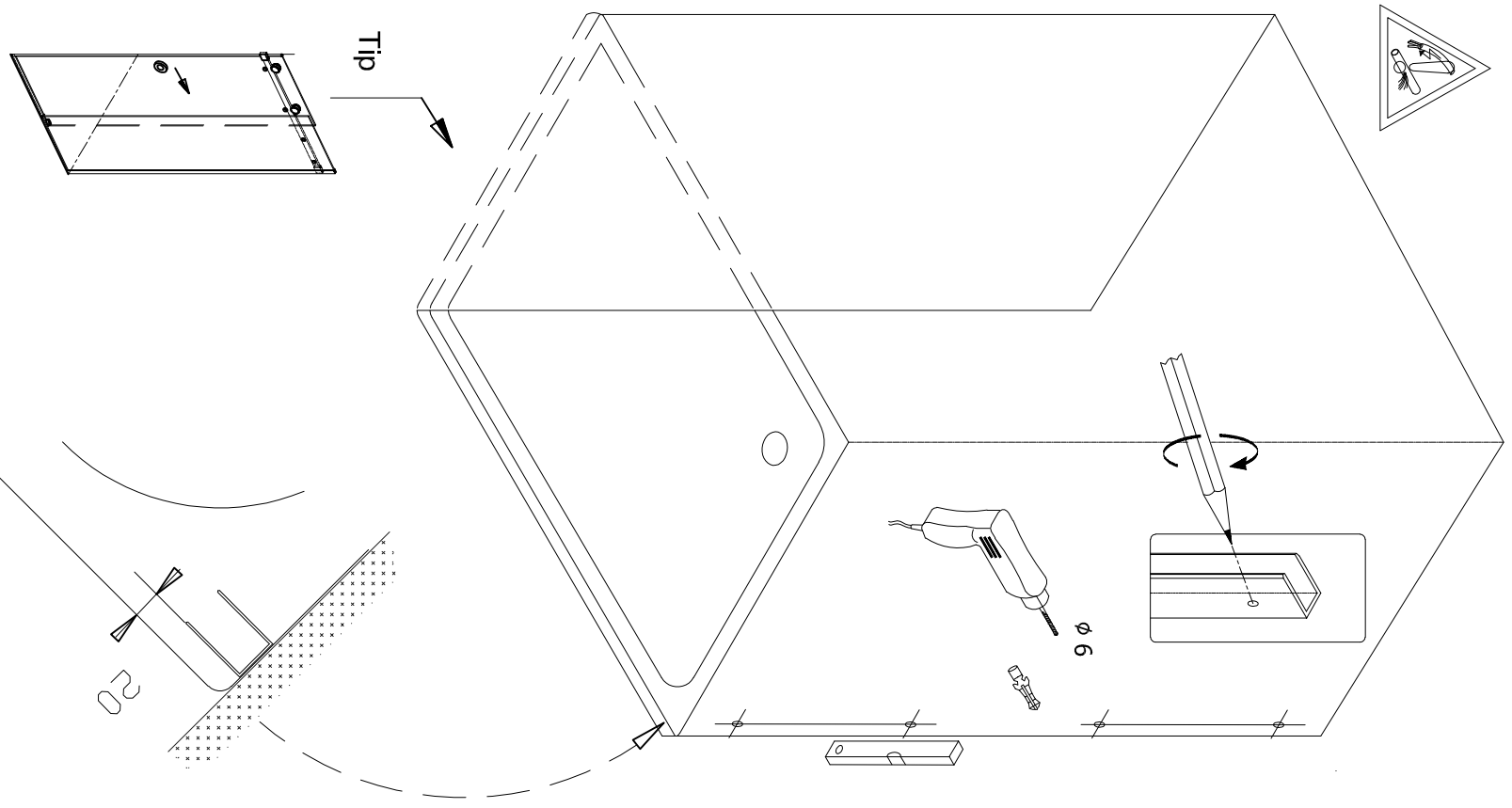
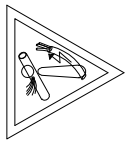
L = B-24 mm



Ø 6 mm
Ø 3,5 mm

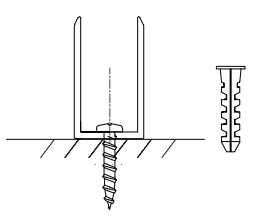
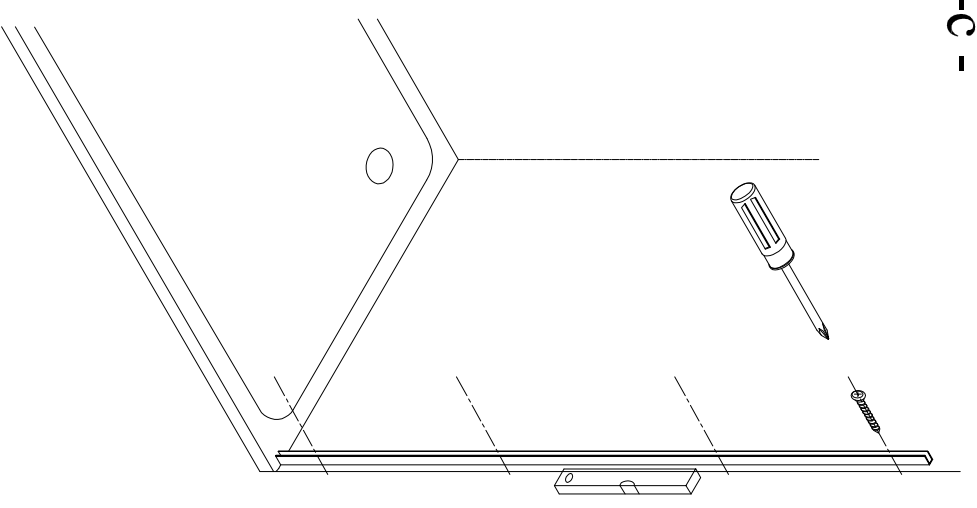


-b-



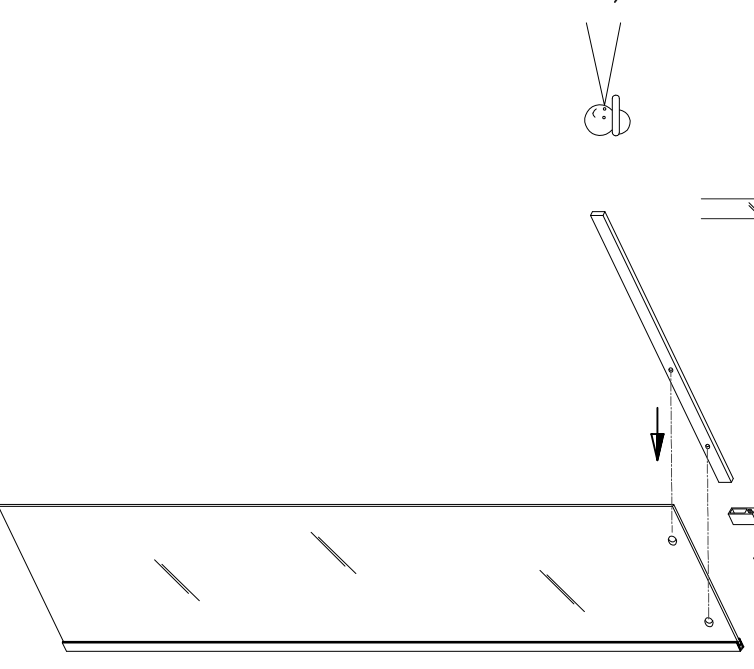
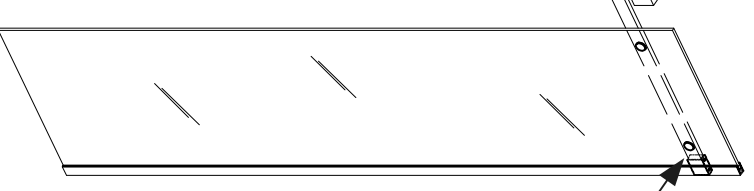
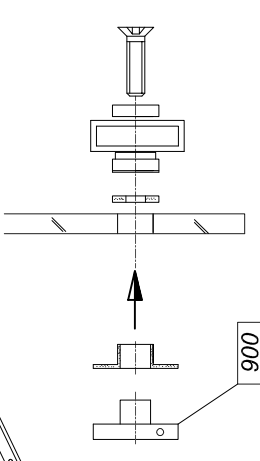
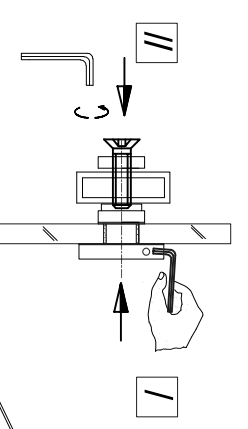
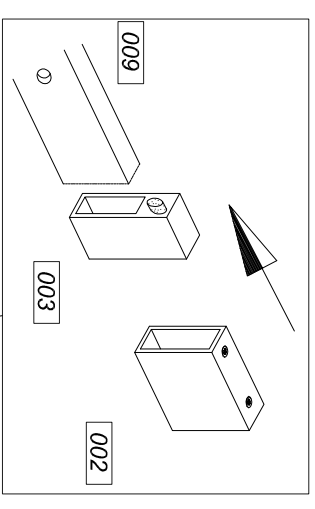
-3-

-c-



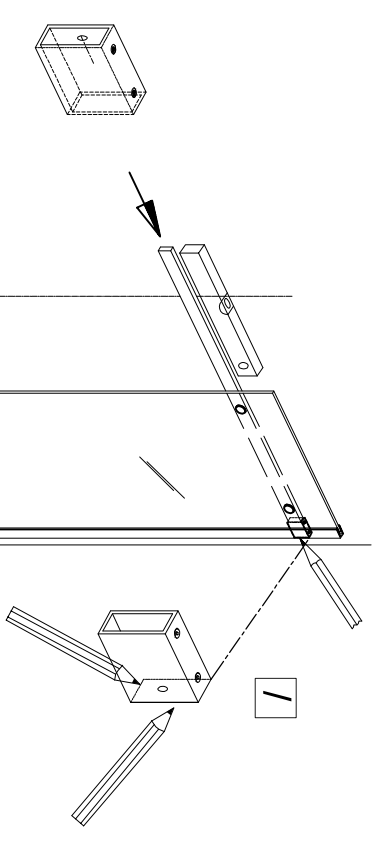
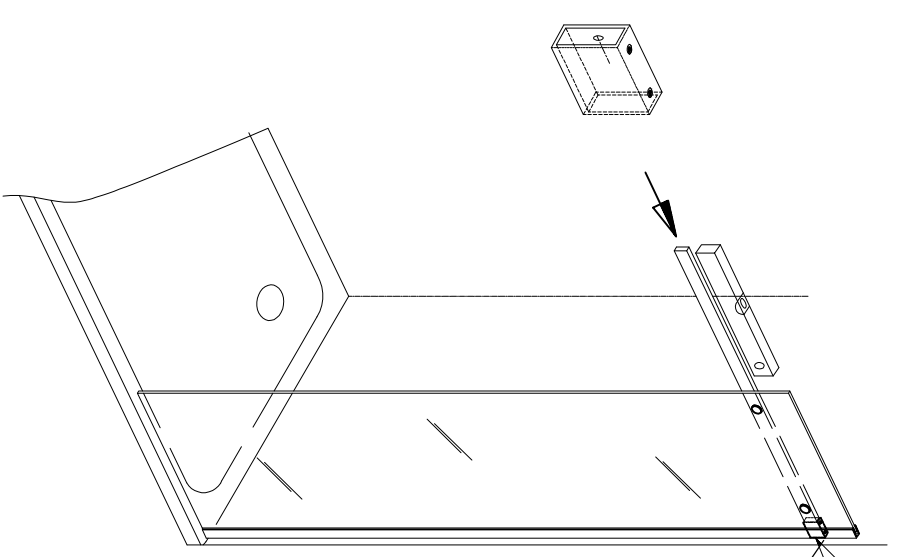
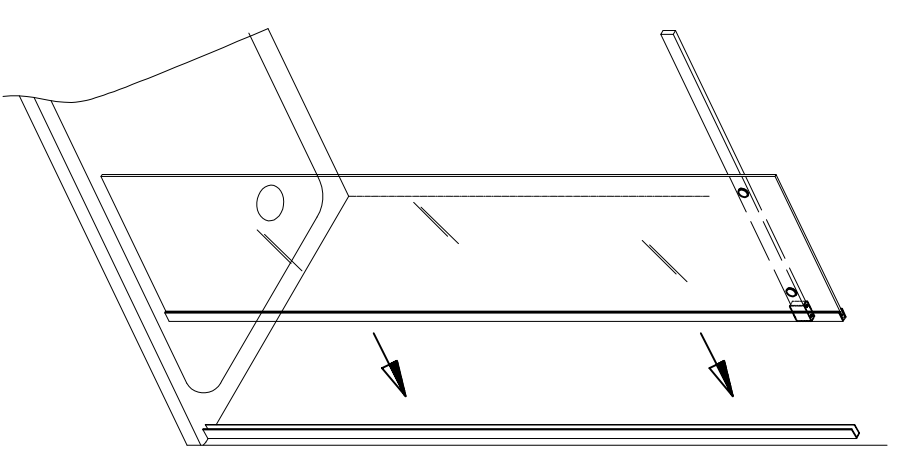
4 kom 4 x 40

-d-

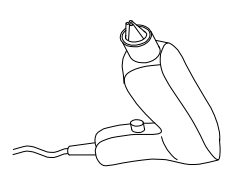
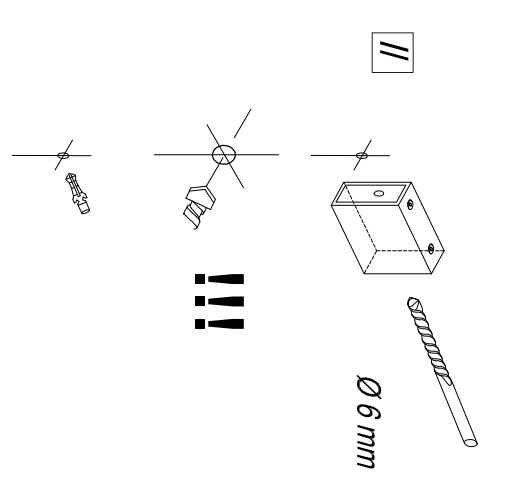


-4-

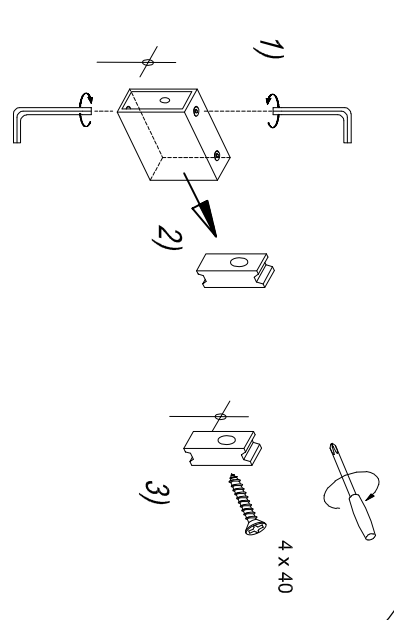
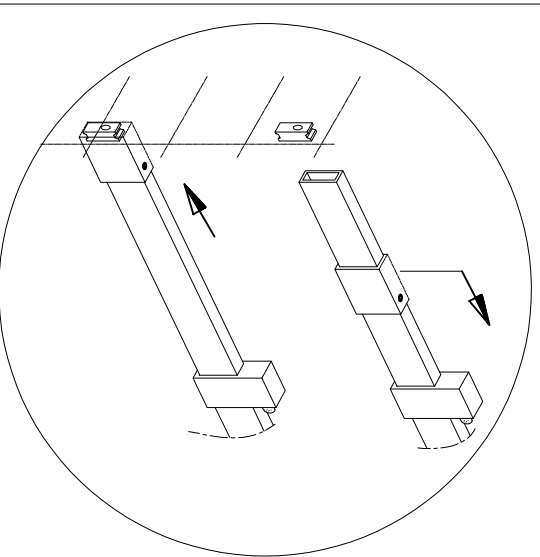
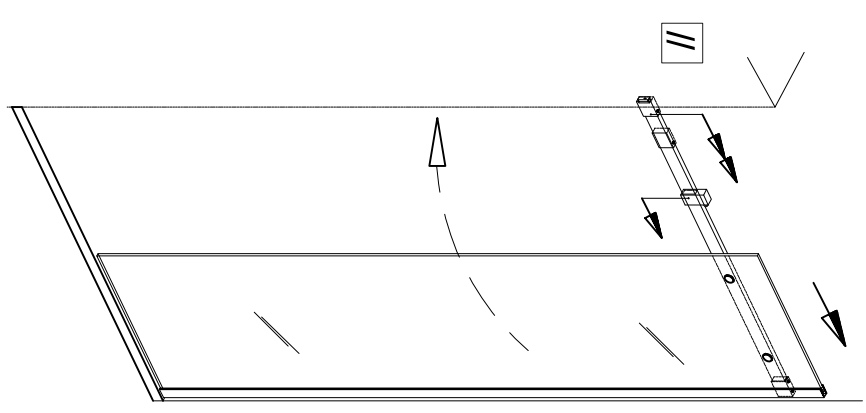
-e-



-g-

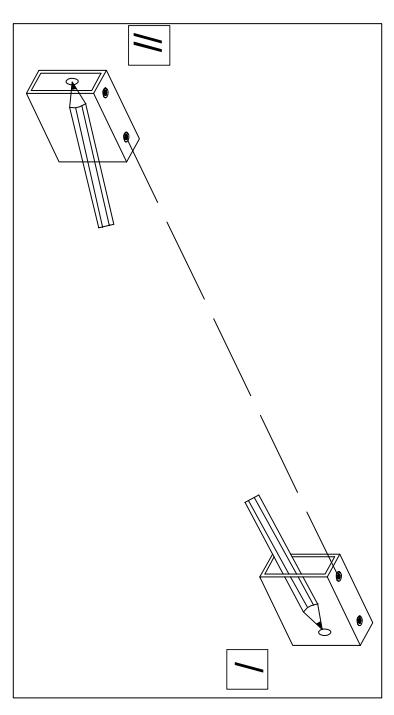
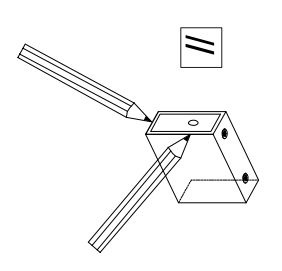
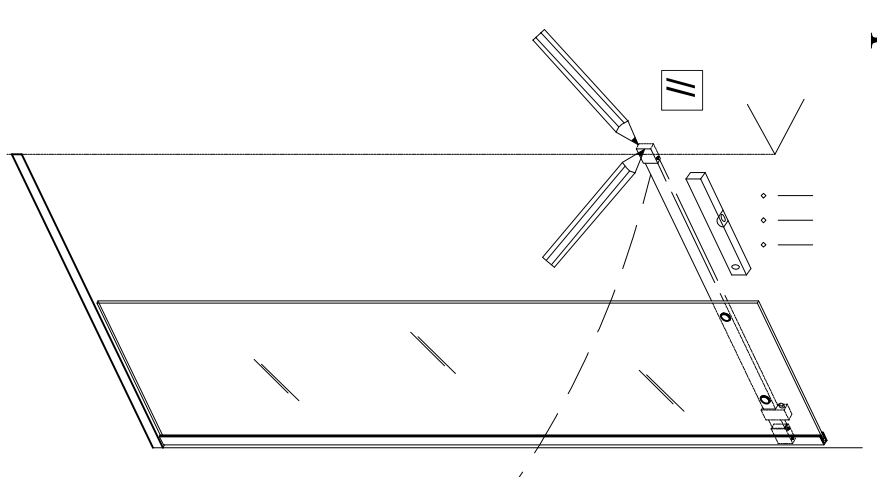


-h-

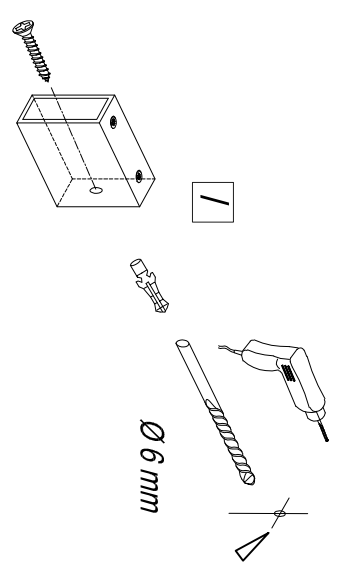


4 x 40

-f-

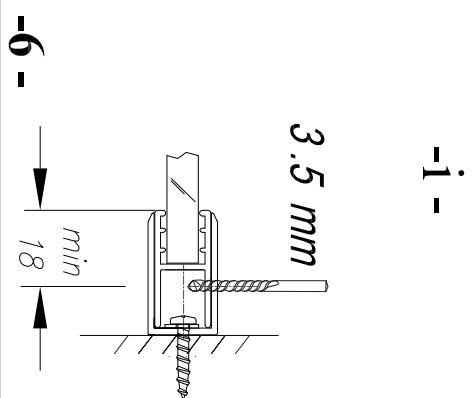
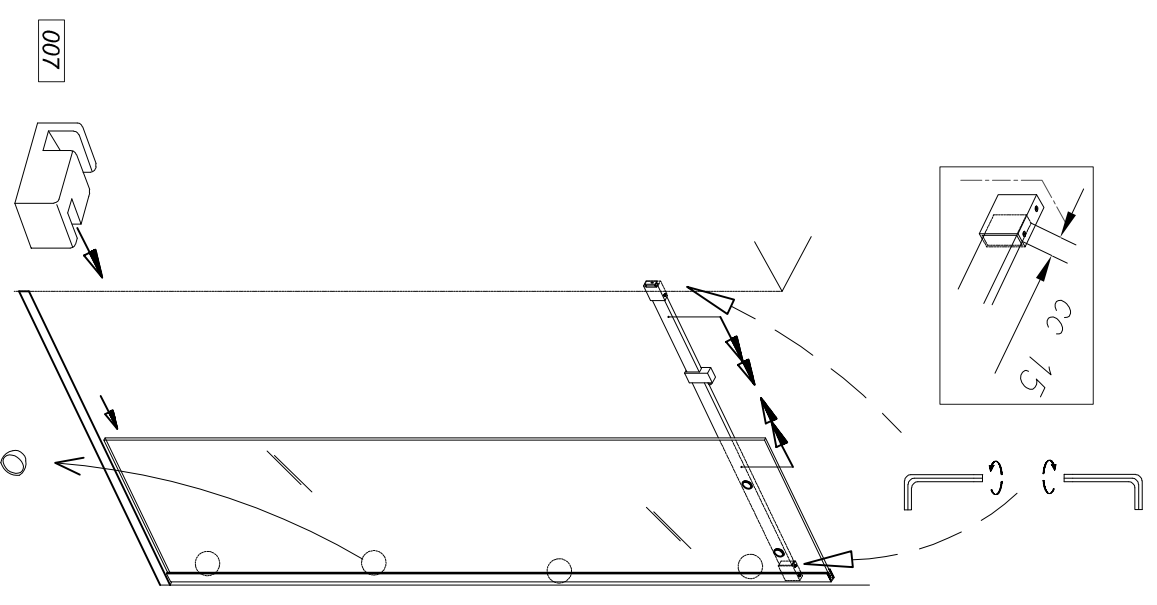


-5-



Ø 6 mm

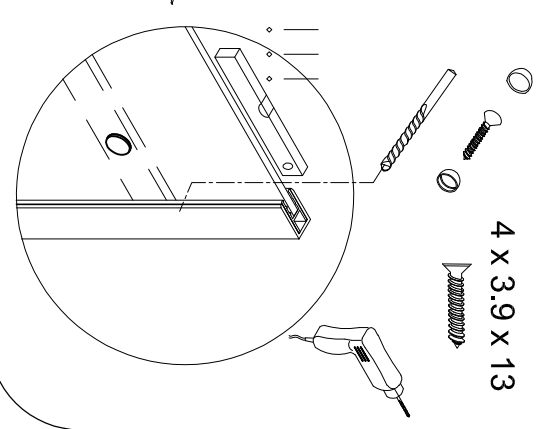
-6-



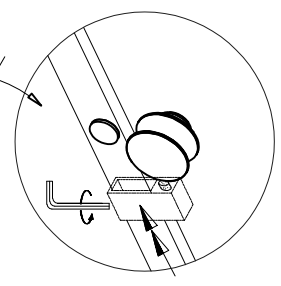
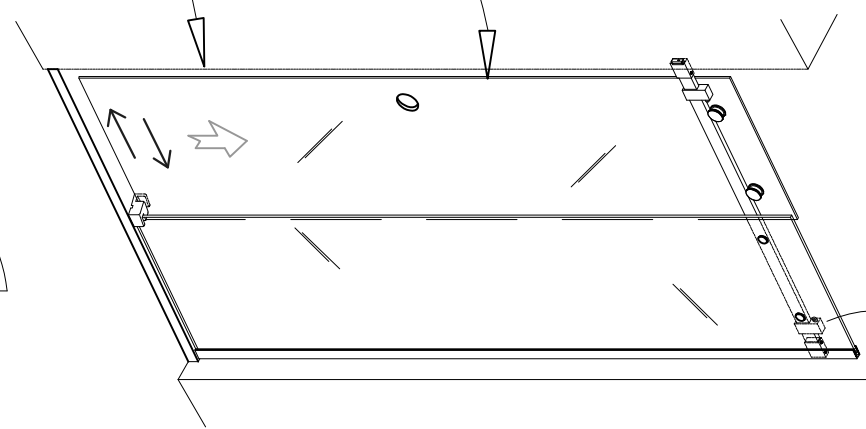
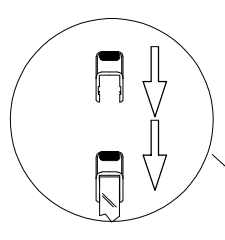
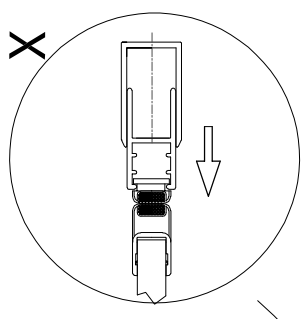
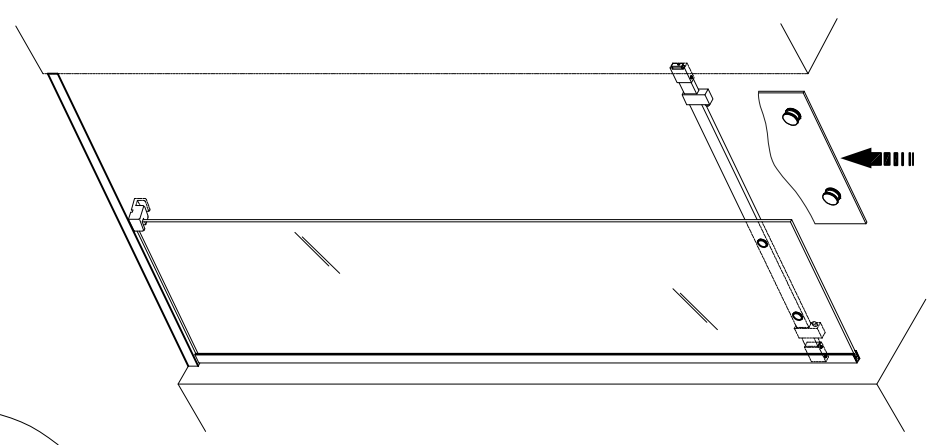
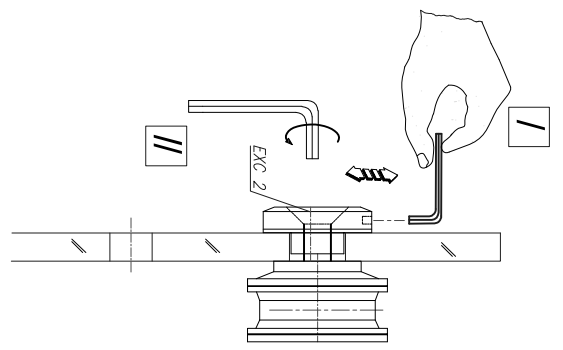
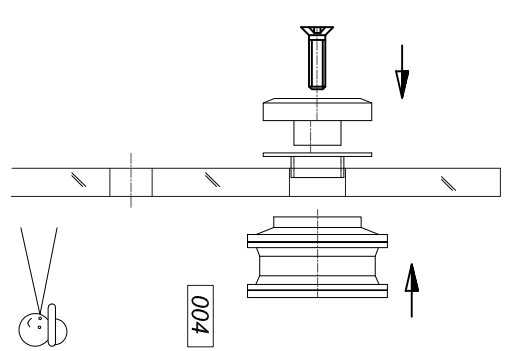
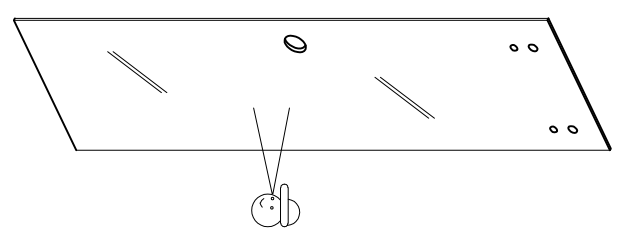
3.5 mm

min 18

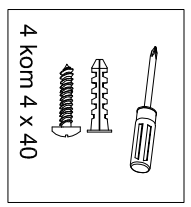
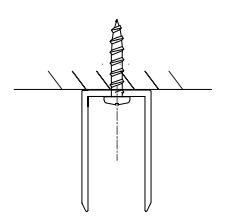
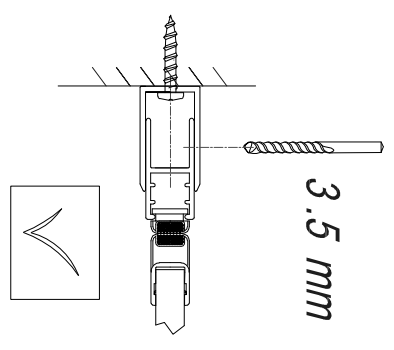
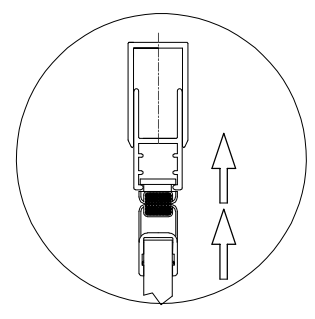
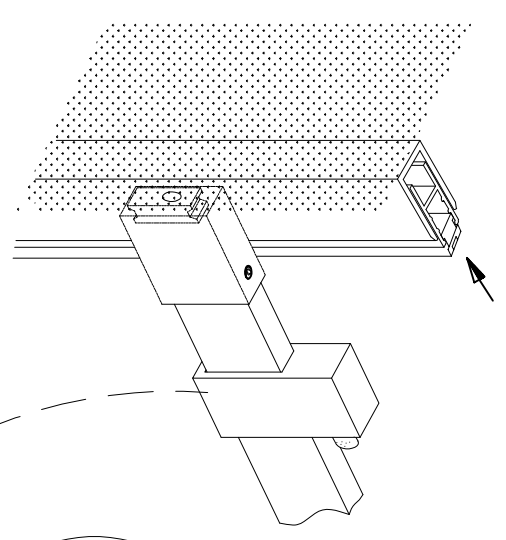
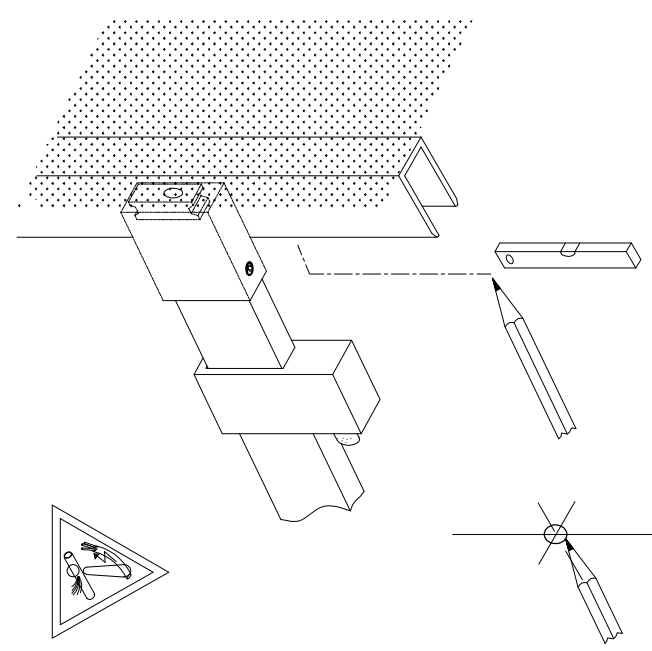
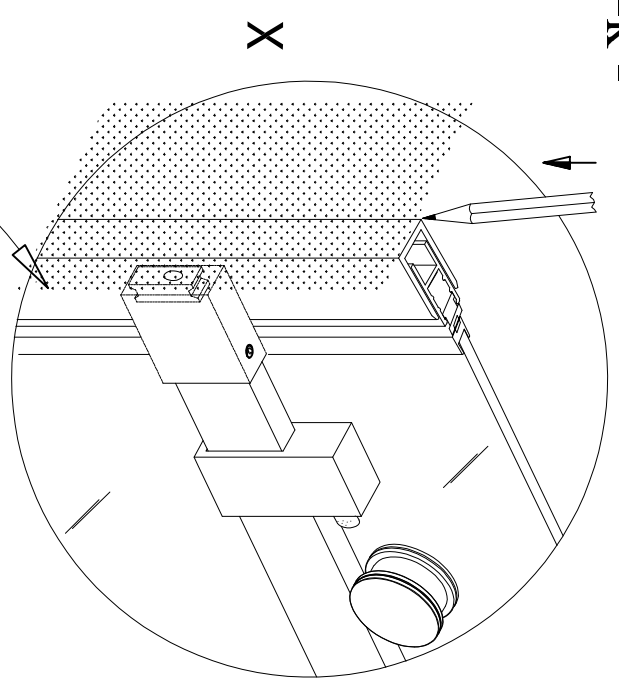
-i-



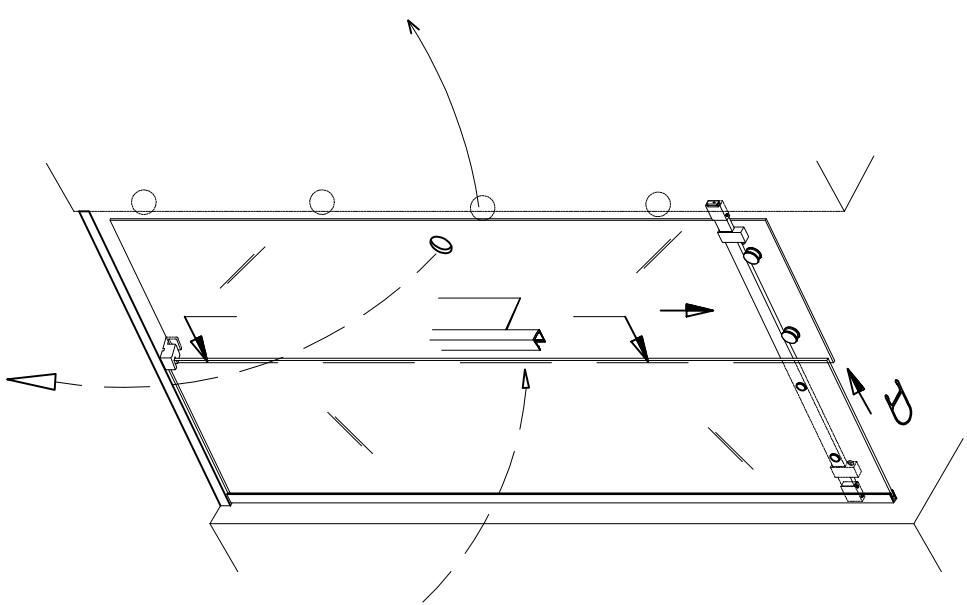
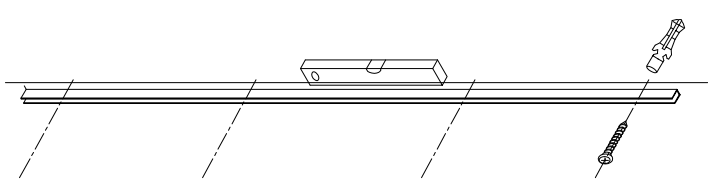
4 x 3.9 x 13



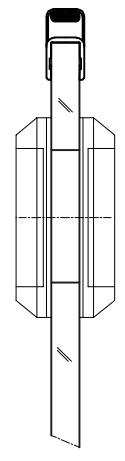
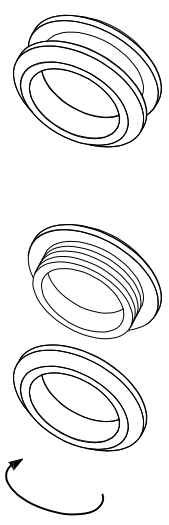
Z = cc 7-8 mm



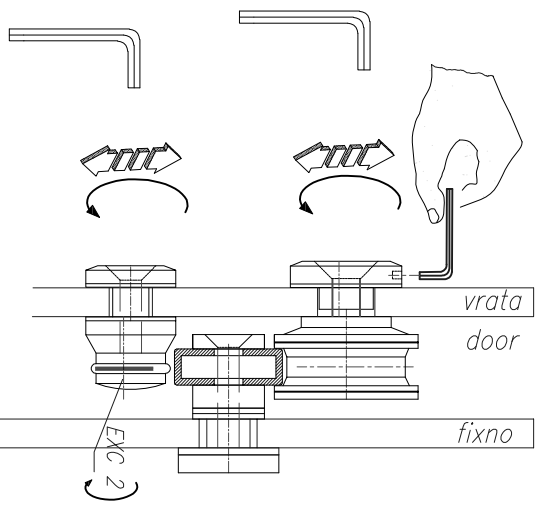
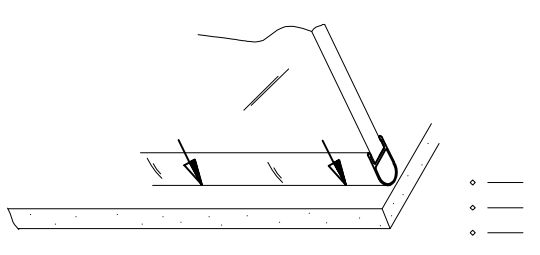
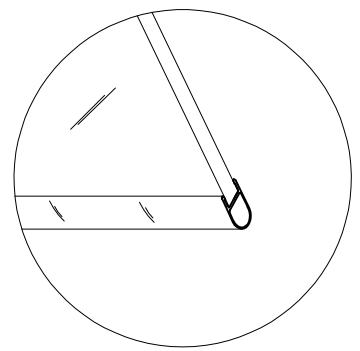
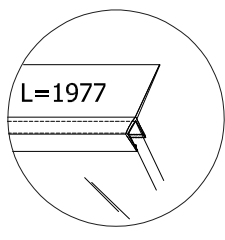
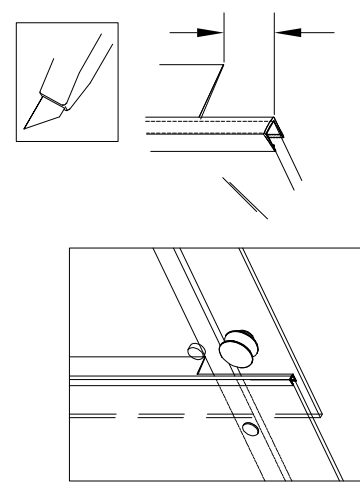
4 x 3.9 x 13



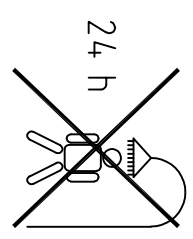
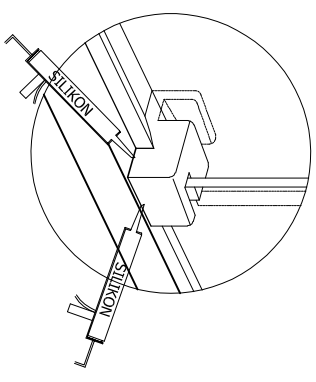
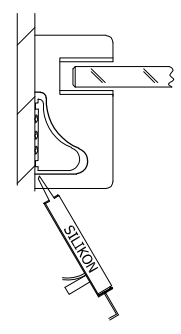
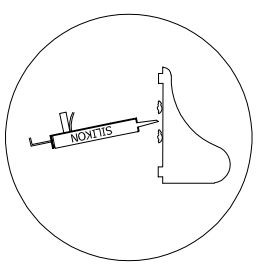
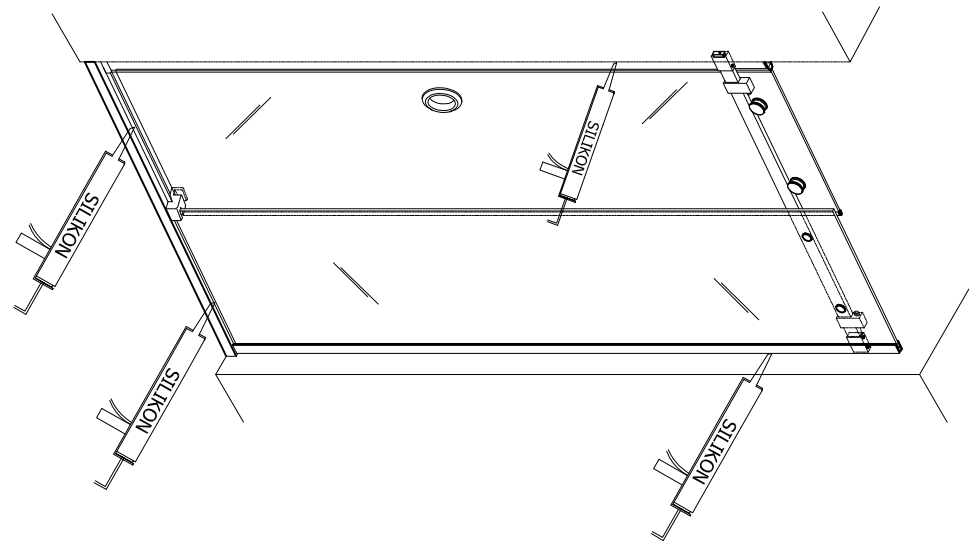
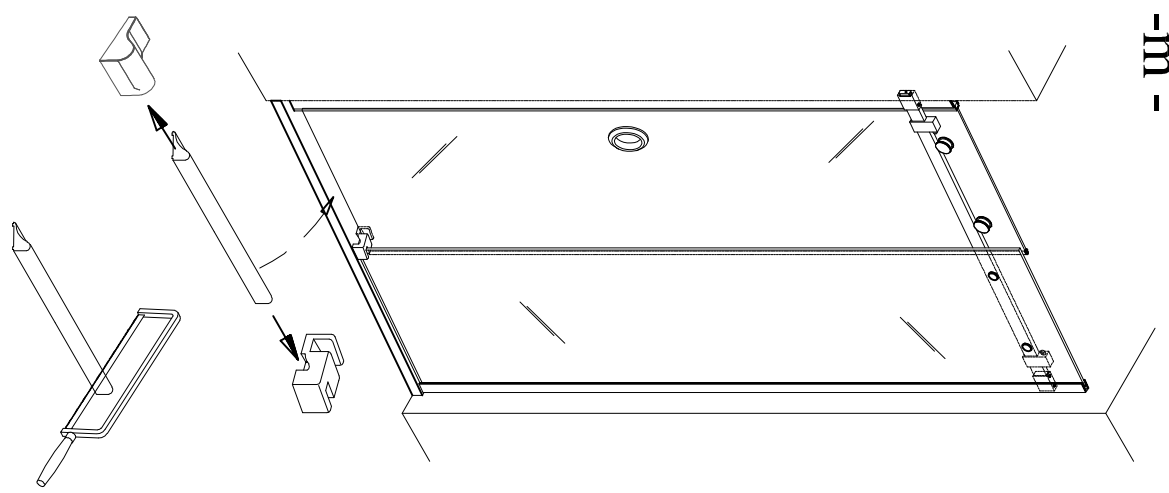
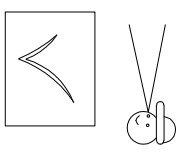
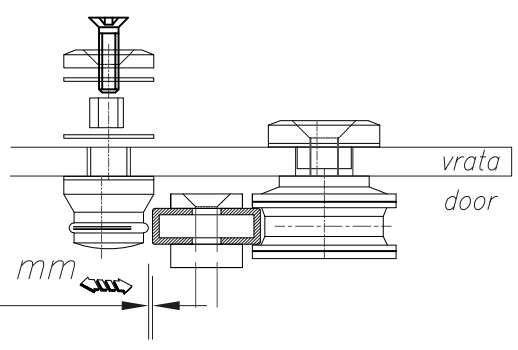
001



100



-9-



-10-

